

THIS DRAWING IS UNPUBLISHED. RELEASED FOR PUBLICATION

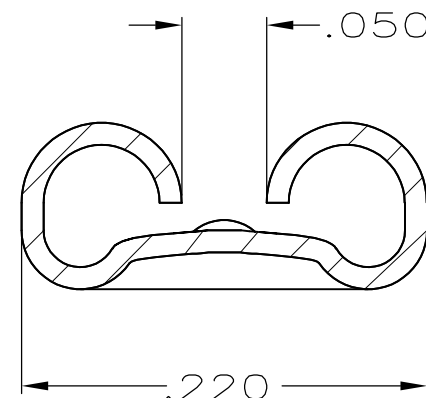
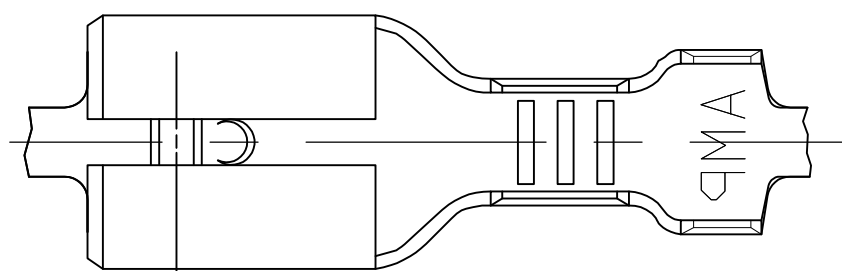
© COPYRIGHT BY TYCO ELECTRONICS CORPORATION. ALL RIGHTS RESERVED.

LOC AF DIST 50

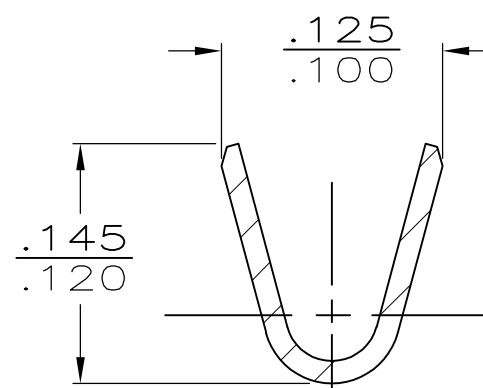
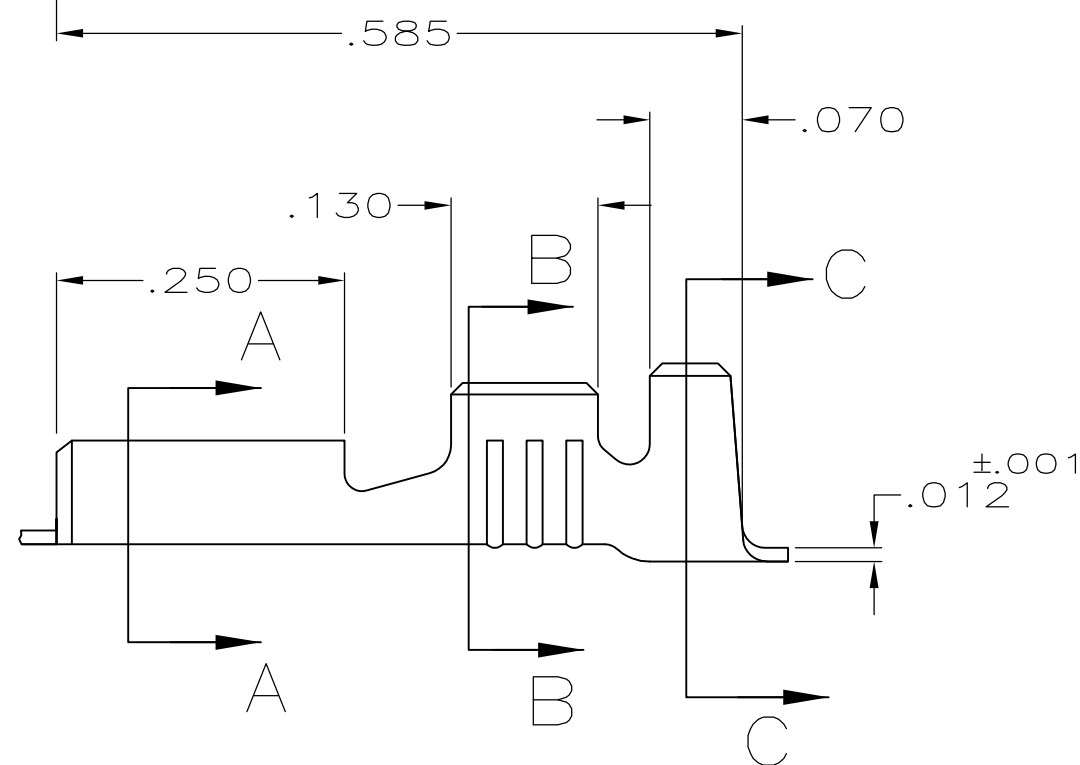
REVISIONS

P	LTR	DESCRIPTION	DATE	DWN	APVD
	T	REV PER ECR 07-006712	28JUN07	JR	PD

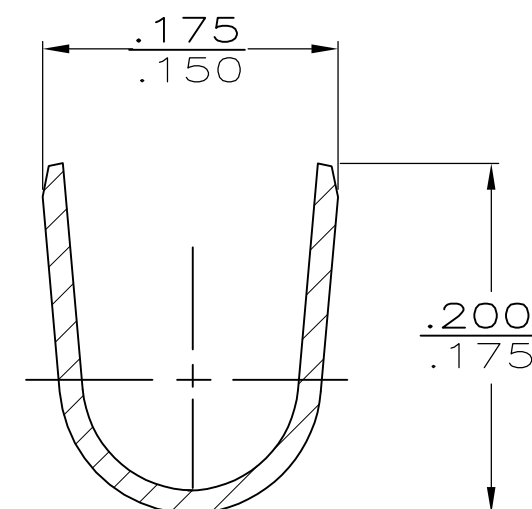
- 1 CONTINUOUS STRIP ON REELS
- 2 MATING TAB THK IS .020±.001
- 3 WIRE SIZE IS #20-#16 AWG
- 4 INSULATION RANGE IS .090-.130 DIA



SECTION A-A SCALE 8:1



SECTION B-B SCALE 8:1



SECTION C-C SCALE 8:1

OBSOLETE	TIN	#4H PH BRZ	42617-4
OBSOLETE	-	#4H PH BRZ	42617-3
	TIN	#4H BRASS	42617-2
	-	#4H BRASS	42617-1
FINISH	MATERIAL	PART NO.	

THIS DRAWING IS A CONTROLLED DOCUMENT.		DWN JR RUTH 10/27/89	Tyco Electronics Corporation Harrisburg, PA 17105-3608		
DIMENSIONS: INCHES		CHK MS FEHER 10/27/89			
TOLERANCES UNLESS OTHERWISE SPECIFIED:		APVD C MEYERS 10/27/89	NAME RECEPTACLE, FASTON, .187 SERIES		
0 PLC ± - 1 PLC ± - 2 PLC ± - 3 PLC ± .015 4 PLC ± - ANGLES ± -		PRODUCT SPEC -	RESTRICTED TO -		
MATERIAL SEE TABLE		APPLICATION SPEC -	SIZE A3	CAGE CODE 00779	DRAWING NO C-42617
FINISH SEE TABLE		WEIGHT -	SCALE 6:1		SHEET 1 OF 1
CUSTOMER DRAWING			REV T		